

**Concorde...
Cycle Event Barrier...
Cycle Barrier...**

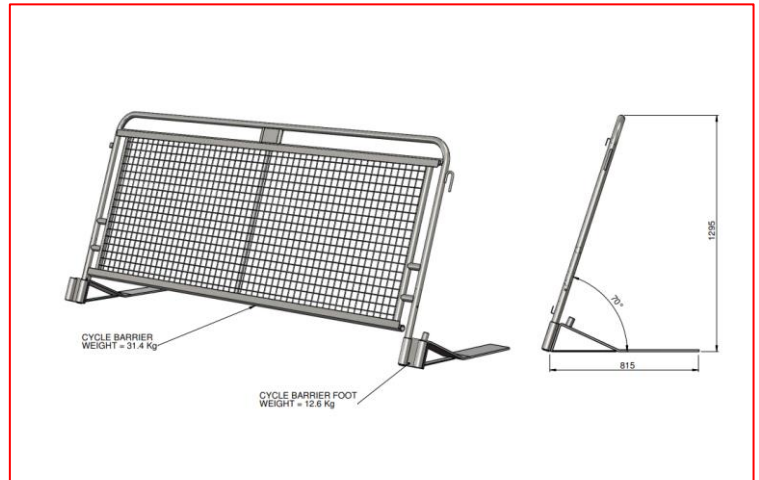
Whatever you may call it, each client uses a different name. We have a large offering of these panels ready for your hire and purchase needs

Key Features:

- Angled galvanised steel structure
- Optimum crowd control and safety
- Perfect surface for advertising and branding for events, charities and sponsors

Engineered in such a way that installation and dismantling become simple, quick and effective.

The barriers offer a strong but lightweight method of crowd control which interlocks with the added aspect of anti-climb infills.



Available in these dimensions(mm) : 3000x1295x815

Weight (kg): 31.4

See More Product Details on [ZND Website](#)